

Series: ACHZ

FEATURES

Lifetime: 105°C 1000h

Low impedance

5.5 mm height (≤f6.3)



RECOMMENDED APPLICATIONS

Battery changer, DC-DC converter, Personal Computer

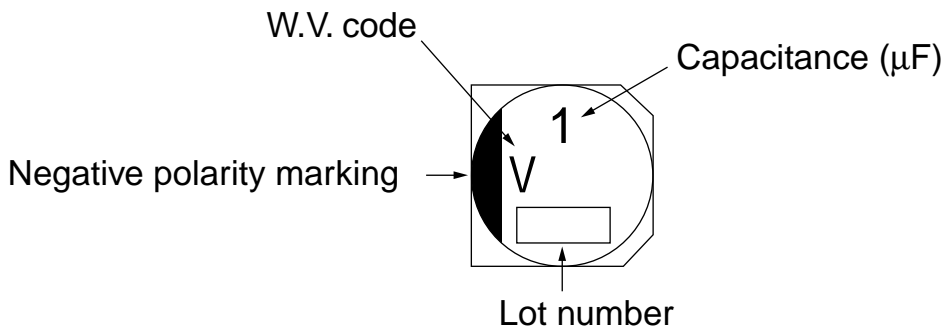
SPECIFICATIONS

Operating Temp. Range	-40 to +105°C							
Rated W.V. Range	6.3 to 50 V.DC							
Nominal Cap. Range	1 to 1000 µF							
Capacitance Tolerance	±20% (120Hz/+20°C)							
DC Leakage Current	I ≤ 0.01 CV or 3(µA) after 2 minutes (Whichever, greater)							
Dissipation Factor	W.V. (V)	6.3	10	16	25	35	50	(120Hz/+20°C) (max.)
	D.F.	0.26	0.19	0.16	0.14	0.14	0.12	
Characteristics at Low Temperature	W.V. (V)	6.3	10	16	25	35	50	(Impedance ratio at 120 Hz)
	-25/+20°C	2	2	2	2	2	2	
	-40/+20°C	3	3	3	3	3	3	
Endurance	After applying rated working voltage for 1000 hours at +105±2°C and then being stabilized at +20°C, capacitors shall meet the following limits.							
	Capacitance change	±20% of initial measured value						
	D.F.	≤200% of initial specified value						
	DC leakage current	≤Initial specified value						
Shelf Life	After storage for 1000 hours at +105±2°C with no voltage applied and then being stabilized at +20°C, capacitor shall meet the limits specified in "Endurance". (With voltage treatment)							
Resistance to Soldering Heat	After reflow soldering (Refer to page 35 for recommendable temperature profile) and then being stabilized at +20°C, capacitor shall meet the following limits.							
	Capacitance change	±10% of initial measured value						
	D.F.	≤Initial specified value						
	DC leakage current	≤Initial specified value						

MARKING

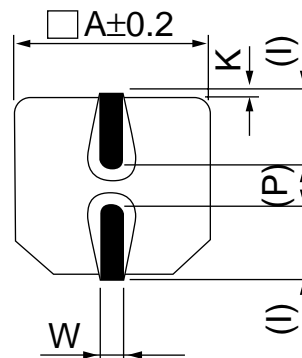
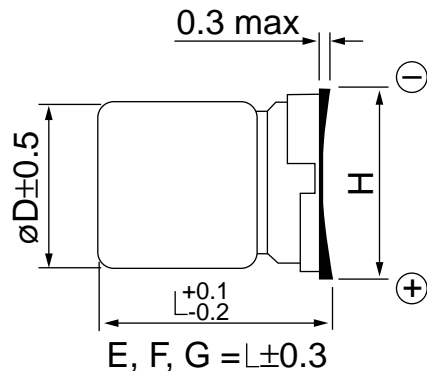
W.V. Code							
V	6.3	10	16	25	35	50	
Code	j	A	C	E	V	H	

Example: 35 V 1 μ F (Polarized)



DIMENSIONS IN MM (NOT TO SCALE)

Size Code	D	L	A	H	I	W	P	K	
B	4.0	5.4	4.3	5.5 max	1.8	0.65 \pm 0.1	1.0	0.35 ^{+0.15} _{-0.20}	
C	5.0	5.4	5.3	6.5 max	2.2	0.65 \pm 0.1	1.5	0.35 ^{+0.15} _{-0.20}	
D	6.3	5.4	6.6	7.8 max	2.6	0.65 \pm 0.1	1.8	0.35 ^{+0.15} _{-0.20}	
E	8.0	6.2	8.3	9.5 max	3.4	0.65 \pm 0.1	2.2	0.35 ^{+0.15} _{-0.20}	
F	8.0	10.2	8.3	10.0 max	3.4	0.90 \pm 0.2	3.1	0.70 \pm 0.2	
G	10.0	10.2	10.3	12.0 max	3.5	0.90 \pm 0.2	4.6	0.70 \pm 0.2	



() reference size

CASE SIZE/RIPPLE CURRENT

Polarized												
(mA) r.m.s. (100 KHz/+105°C)												
Cap. (µF) \ W.V. (V)	6.3		10		16		25		35		50	
0.1									B	60	B	30
0.22									B	60	B	30
0.33									B	60	B	30
0.47									B	60	C	50
6.8							B	60	C	95		
10					B	60			C	95	D	70
22	B	60			C	95	D	140	D	140	E	120
33			C	95			D	140	E	230	F	300
47	C	95			D	140	E	230	E	230	G	500
68	D	140			E	230	F	450				
100	D	140	E	230	E	230	F	450	G	670		
150			E	230								
220	E	230	F	450	G	670	G	670				
330	F	450			G	670						
470			G	670								
1000	G	670										

() shows w.v. and capacitance code.

IMPEDANCE (Ω) (100 KHZ/+20°C)

Size code	B	C	D	E	F	G
Impedance (6.3-35 W.V.)	3.0	1.8	1.0	0.4	0.3	0.15
Impedance (50 W.V.)	5.0	3.0	2.0	0.7	0.6	0.3

STANDARD PRODUCTS

		Case size			Specification		Part No.	Min. Packaging Q'ty
W.V. (V)	Cap. (±20%) (µF)	Dia. (mm)	Length (mm)	Size Code	Ripple current (100kHz) (+105°C) (mA)	Impedance. (100kHz) (+20°C) (W)		Taping (pcs)
6.3	22	4	5.4	B	60	3.0	ACHZ226M6.3TB	2000
	47	5	5.4	C	95	1.80	ACHZ476M6.3TC	1000
	68	6.3	5.4	D	140	1.0	ACHZ686M6.3TD	1000
	100	6.3	5.4	D	140	1.0	ACHZ107M6.3TD	1000
	220	8	6.2	E	230	0.40	ACHZ227M6.3TE	1000
	330	8	10.2	F	450	0.30	ACHZ337M6.3TF	500
	1000	10	10.2	G	670	0.15	ACHZ108M6.3TG	500
10	33	5	5.4	C	95	1.80	ACHZ336M10TC	1000
	100	8	6.2	E	230	0.40	ACHZ107M10TE	1000
	150	8	6.2	E	230	0.40	ACHZ157M10TE	1000
	220	8	10.2	F	450	0.30	ACHZ227M10TF	500
	470	10	10.2	G	670	0.15	ACHZ477M10TG	500
16	10	4	5.4	B	60	3.0	ACHZ106M16TB	2000
	22	5	5.4	C	95	1.80	ACHZ226M16TC	1000
	47	6.3	5.4	D	140	1.0	ACHZ476M16TD	1000
	68	8	6.2	E	230	0.40	ACHZ686M16TE	1000
	100	8	6.2	E	230	0.40	ACHZ107M16TE	1000
	220	10	10.2	G	670	0.15	ACHZ227M16TG	500
	330	10	10.2	G	670	0.15	ACHZ337M16TG	500
25	6.8	4	5.4	B	60	3.0	ACHZ685M25TB	2000
	22	6.3	5.4	D	140	1.0	ACHZ226M25TD	1000
	33	6.3	5.4	D	140	1.0	ACHZ336M25TD	1000
	47	8	6.2	E	230	0.40	ACHZ476M25TE	1000
	68	8	10.2	F	450	0.30	ACHZ686M25TF	500
	100	8	10.2	F	450	0.30	ACHZ107M25TF	500
	220	10	10.2	G	670	0.15	ACHZ227M25TG	500
35	1	4	5.4	B	60	3.0	ACHZ105M35TB	2000
	2.2	4	5.4	B	60	3.0	ACHZ225M35TB	2000
	3.3	4	5.4	B	60	3.0	ACHZ335M35TB	2000
	4.7	4	5.4	B	60	3.0	ACHZ475M35TB	2000
	6.8	5	5.4	C	95	1.80	ACHZ685M35TC	1000
	10	5	5.4	C	95	1.80	ACHZ106M35TC	1000
	22	6.3	5.4	D	140	1.0	ACHZ226M35TD	1000
	33	8	6.2	E	230	0.40	ACHZ336M35TE	1000
	47	8	6.2	E	230	0.40	ACHZ476M35TE	1000
	100	10	10.2	G	670	0.15	ACHZ107M35TG	500
	50	1	4	5.4	B	30	5.0	ACHZ105M50TB
2.2		4	5.4	B	30	5.0	ACHZ225M50TB	2000
3.3		4	5.4	B	30	5.0	ACHZ335M50TB	2000
4.7		5	5.4	C	50	3.0	ACHZ475M50TC	1000
10		6.3	5.4	D	70	2.0	ACHZ106M50TD	1000
22		8	6.2	E	120	0.70	ACHZ226M50TE	1000
33		8	10.2	F	300	0.60	ACHZ336M50TF	500
47		10	10.2	G	500	0.30	ACHZ476M50TG	500

The taping dimensions are explained on page 37 of our catalog. High temperature Load Life test: 105°C 1000h