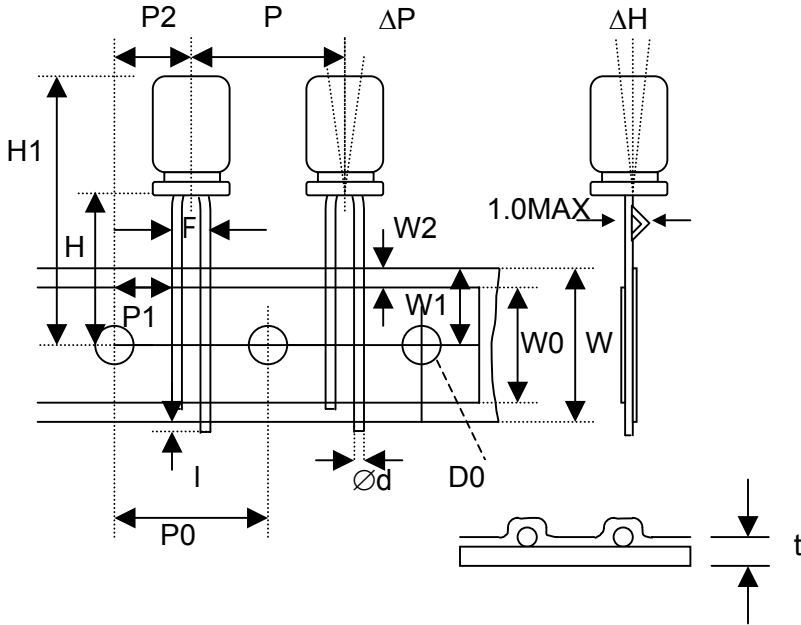
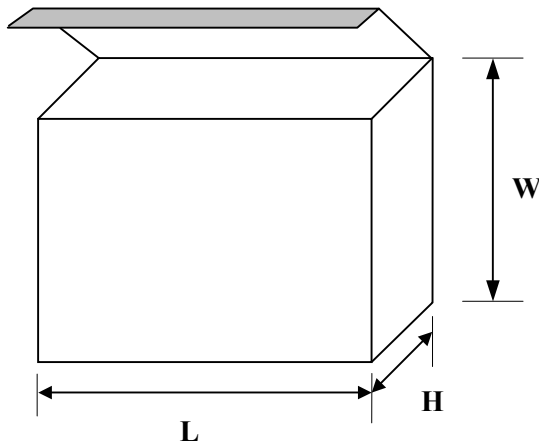


Radial Taping Specifications

Can Size (mm): 10x12, 10x15, 10x17, 10x20



SYMBOL	NOMINAL VALUE	TOLERANCE
Ød	0.6	± 0.05
P	12.7	± 1.0
P0	12.7	± 0.3
P1	3.85	± 0.5
P2	6.35	± 1.0
F	5.0	-0.2 / + 0.6
ΔH	0.2	+ .2
W	18.0	± 0.5
W0	12.0	min
W1	9.0	± 0.5
W2	3.0	max
H	18.5	± .75
H1	40.0	max
D0	4.0	± 0.3
t	1.0	± 0.2
ΔP	0.2	max



ØD (mm)	L+5 (mm)	W+5 (mm)	H+5 (mm)	Quantity (pcs)
4	340	275	50	3000
5	340	230	50	2000
6.3	340	275	50	2000
8	340	230	50	1000
10	340	230	50	600
13	315	275	65	450
16	315	275	65	300

Revision	Date	Bv
Original Issue	8-16-2002	D. Eisen
Revision A		
Revision B		
Revision C		